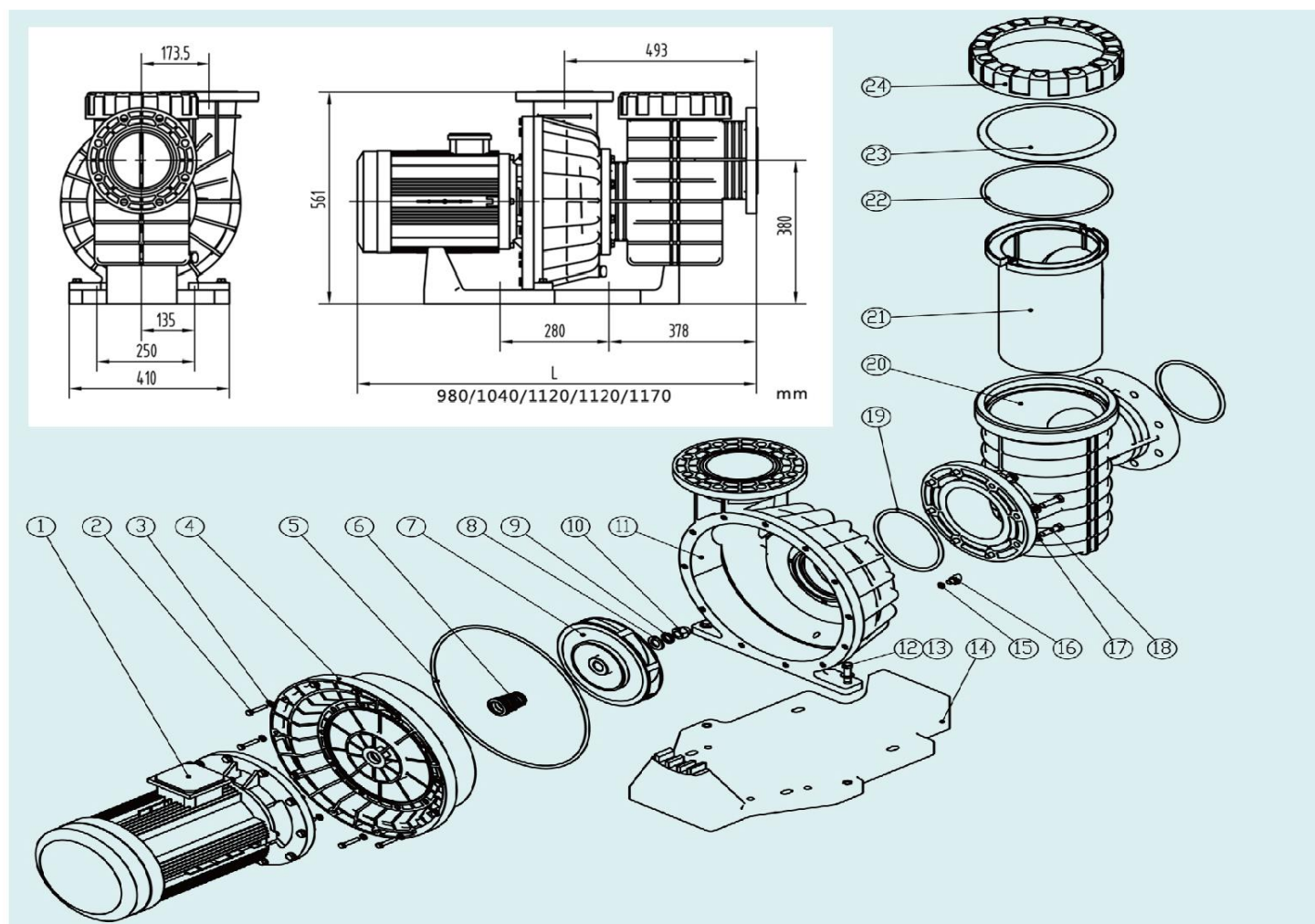
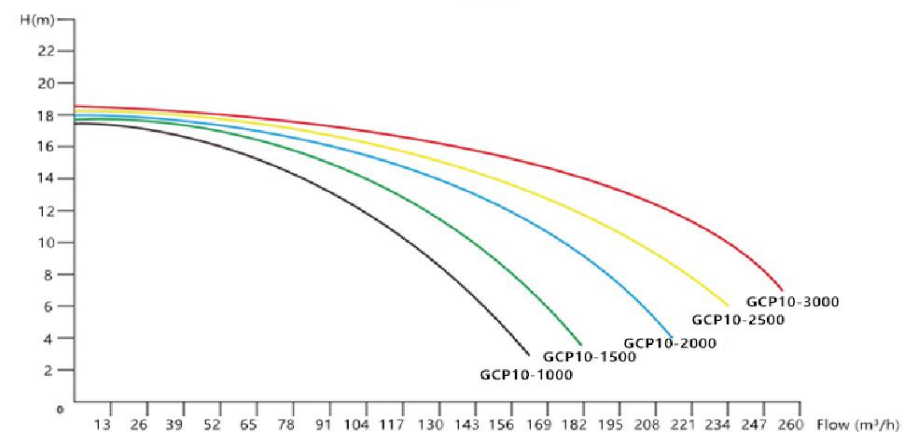


GCP10 High Power Water Pump

# GCP10 Super Power Water Pump

GCP10 self-priming super flow plastic water pump, brand new patented product, adopts the bionic turbo pump body design, maximize the conversion of motor efficiency to delivering massive & smoothly flow, max flow rate up to 260m<sup>3</sup>/h; Thickening body and spiral lock design, excellent bearing pressure performance , sturdy and durable; Using four-pole motor, RPM 1450, NSK imported bearing, carborundum + graphite mechanical seal, motor operating more stable and quiet; IP55 protection grade, F insulation grade, rainproof standard; Split component design, flange type inlet and outlet, easy to install and operate, easy to maintenance, all spare parts available; Suitable for large waterparks, large swimming pools, aquaculture, water conservancy projects.



- 1 Motor
- 2 Plug Screw
- 3 Washe
- 4 Flange
- 5 O Ring
- 6 Mechanical Sea
- 7 Flange
- 8 Washer
- 9 Elastic Washer
- 10 Screw Cap
- 11 Body
- 12 Plug Screw
- 13 Washer
- 14 Base
- 15 O Ring
- 16 Plug Screw
- 17 Washer
- 18 Screw
- 19 O Ring
- 20 Pre-Filter
- 21 Basket
- 22 O Ring
- 23 Transparent Cover
- 24 Cap Nut

Model	Voltage	KW	HP	Hmax (m)	Qmax (m <sup>3</sup> /h)	Motor Speed (r/min)	Port Size (mm)	Outlet Pipe Diameter(mm)
GCP10-1000	380V/50Hz	7.5	10	18	170	1450	Φ125	Φ150
GCP10-1500		11	15		185			
GCP10-2000		15	20		220			
GCP10-2500		18.5	25		240			
GCP10-3000		22	30		260			