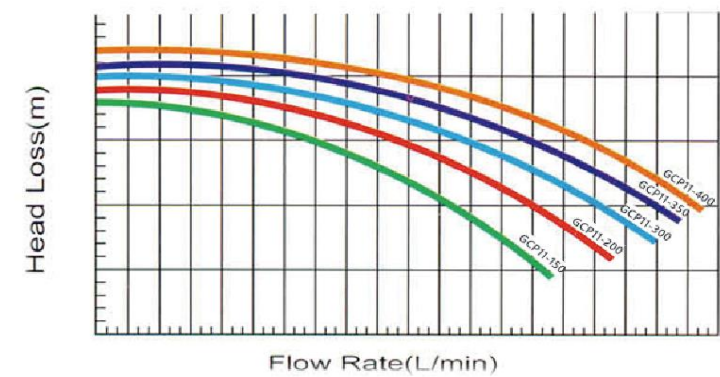
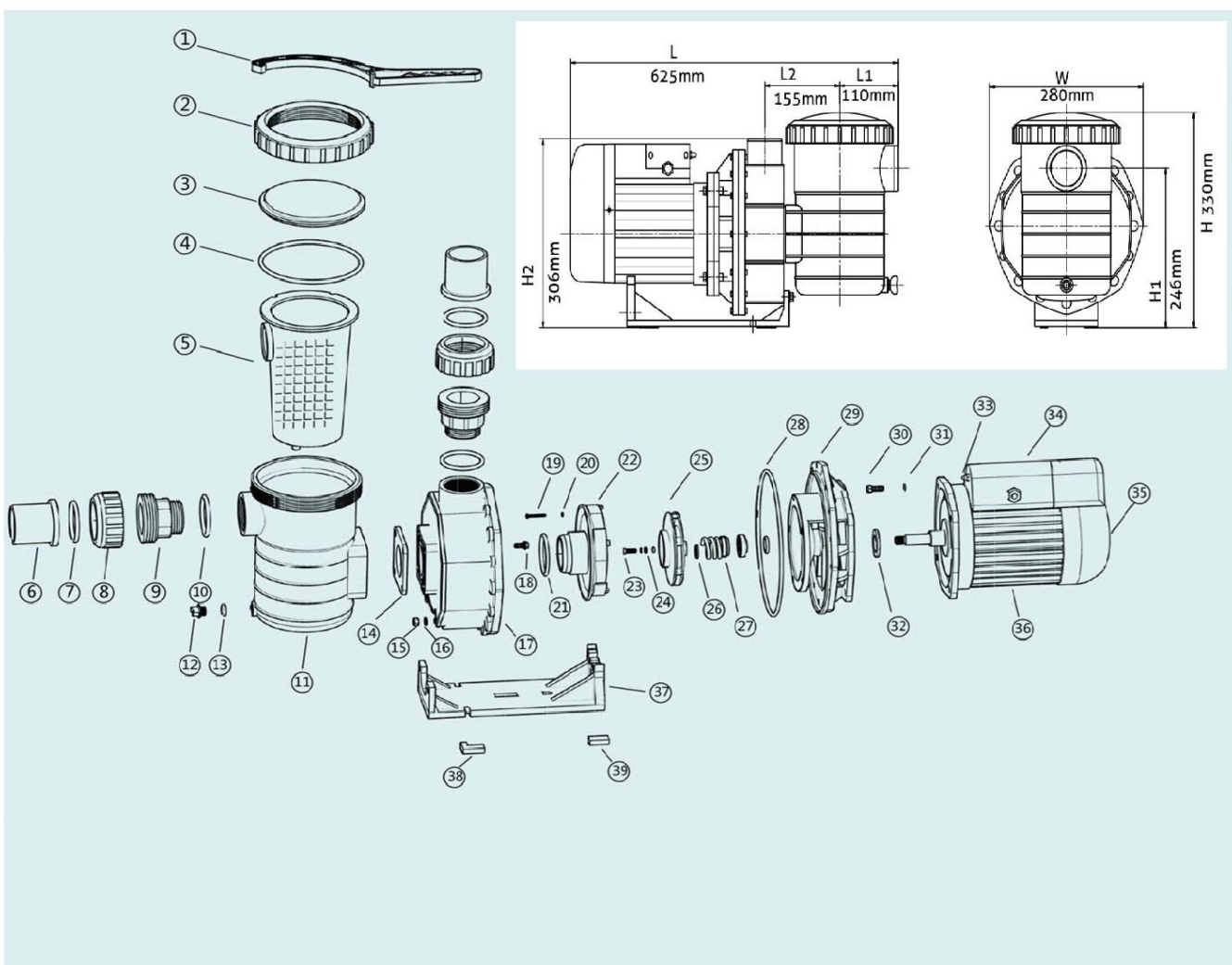
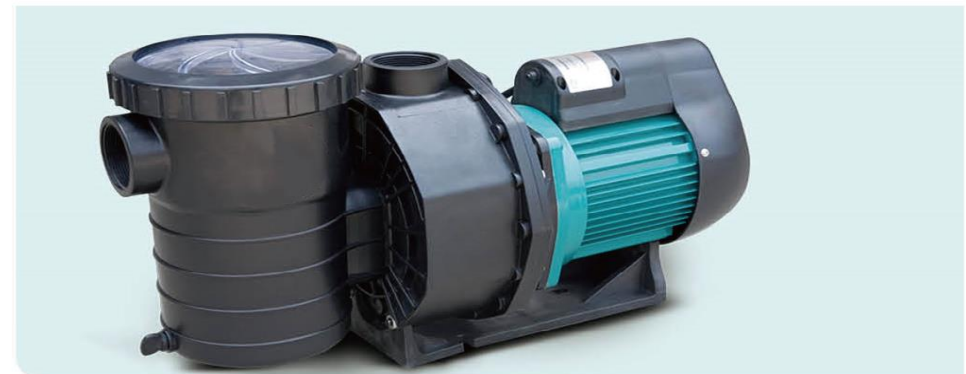


GCP11 Water Pump

# GCP11 Water Pump

Classic design of Europe style, 20 years popular in the market. Small power use, high height, big flow and low noise. Pump is made in high strong plastic, long time lasting and small space occupied. Special material for impeller and filter net. Spindle is 304 stainless steel.

Bearings from American KIMIKEN brand, and sealing is Vulcan brand. Convenient to hand, easy to maintain. Spare parts available. Protect grade: IP55; Insulation Grade: F



- 01 Plastic Spanner
- 02 Lid Lock Ring
- 03 Lid
- 04 O'ring O
- 05 Basket Strainer
- 06 Union Bushing(Metric/Inch)
- 07 O'ring O
- 08 Union Nut
- 09 Union
- 10 O'ring O
- 11 Hair collector
- 12 Drain Plug
- 13 O'ring O
- 14 Gasket
- 15 Screw
- 16 Gasket
- 17 Pump Body
- 18 Screw
- 19 Screw
- 20 Gasket
- 21 O'ring O
- 22 Diffuser
- 23 Screw
- 24 Gasket
- 25 Impeller
- 26 Gasket
- 27 Shaft Seal
- 28 O'ring O
- 29 Flange
- 30 Screw
- 31 Gasket
- 32 Throw Water Ring
- 33 Electric Current Safeguard
- 34 Junction Box
- 35 Ventilation Hood
- 36 Motor
- 37 Base
- 38 Base Cushion
- 39 Base Cushion

Model	Voltage	KW	HP	Hmax (m)	Qmax (m <sup>3</sup> /h)	Port Size
GCP11-150	220V/50Hz/60Hz	1.1	1.5	18	25	63mm 2"
GCP11-200		1.5	2.0	19	35	
GCP11-300	220V/380V/50Hz/60Hz	2.2	3.0	20	38	
GCP11-350		2.6	3.5	21	40	
GCP11-400	380V/50Hz/60Hz	3	4.0	22	45	