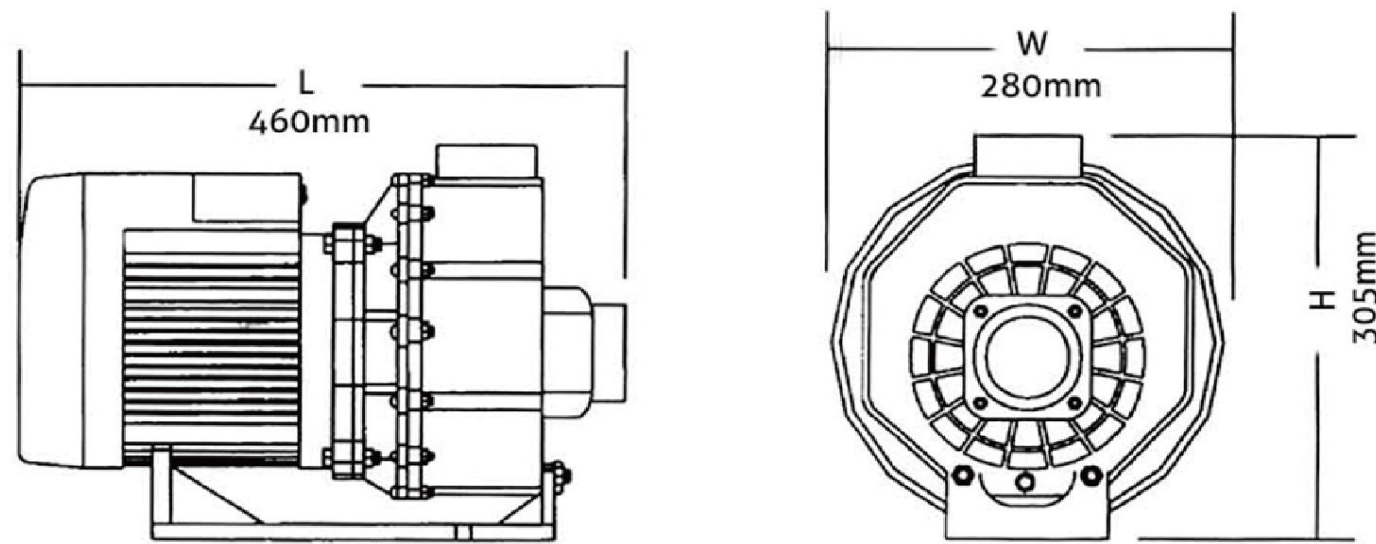
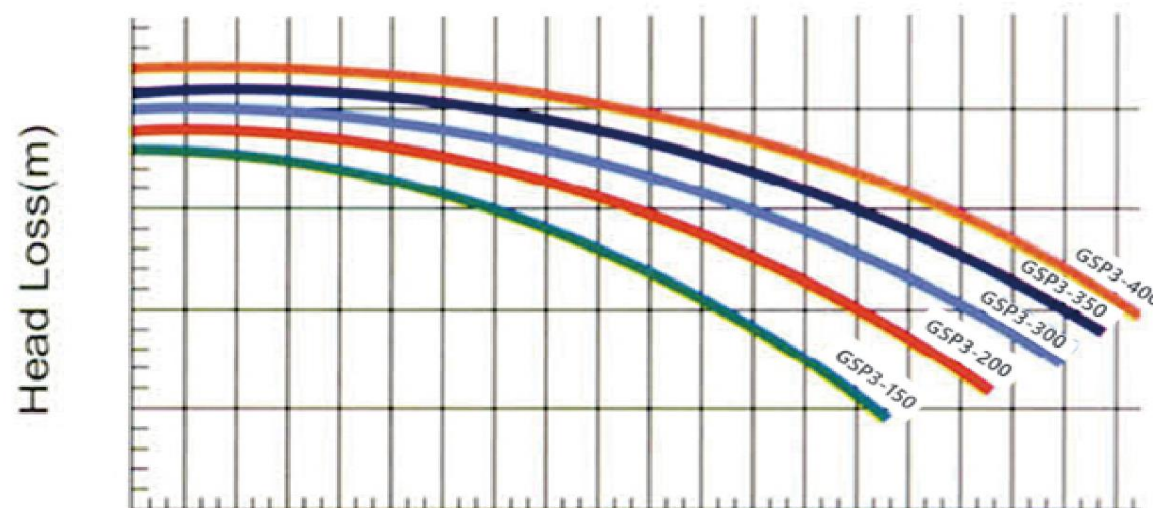


GSP3 Spa Pump

GSP3 Spa Pump

Anti rust crust can stop water penetrating to the engine; Enough power, high head, big flux and high efficient circulation. Run quietly with smaller noise. High airtightness sealed, strong suction ability, big capacity of hair box. Main parts are durable as they're made of special plastic. Convenient to hand, easy to maintain. Spare parts available.



Model	Voltage	KW	HP	Hmax (m)	Qmax (m ³ /h)	Port Size
GSP3-150	220V/50Hz/60Hz	1.1	1.5	18	30	63mm 2"
GSP3-200	220V/380V/50Hz/60Hz	1.5	2.0	19	35	
GSP3-300		2.2	3.0	20	38	
GSP3-350		2.6	3.5	21	40	
GSP3-400	380V/50Hz/60Hz	3	4.0	22	48	